

Low Noise Frequency Multiplier

Features:

- Prime number multiplication
- High sub-harmonic rejection
- Low power consumption
- Compact size



The FXA217 is ideal for applications where multiplication of a frequency must be achieved with low noise degradation and still maintain modulation intact. Multiplication is achieved by shaping the input signal into a very fast rise time pulse and selectively amplifying and filtering the desired signal. Many variations of this unit are available. Consult the factory to discuss a custom unit for your application.

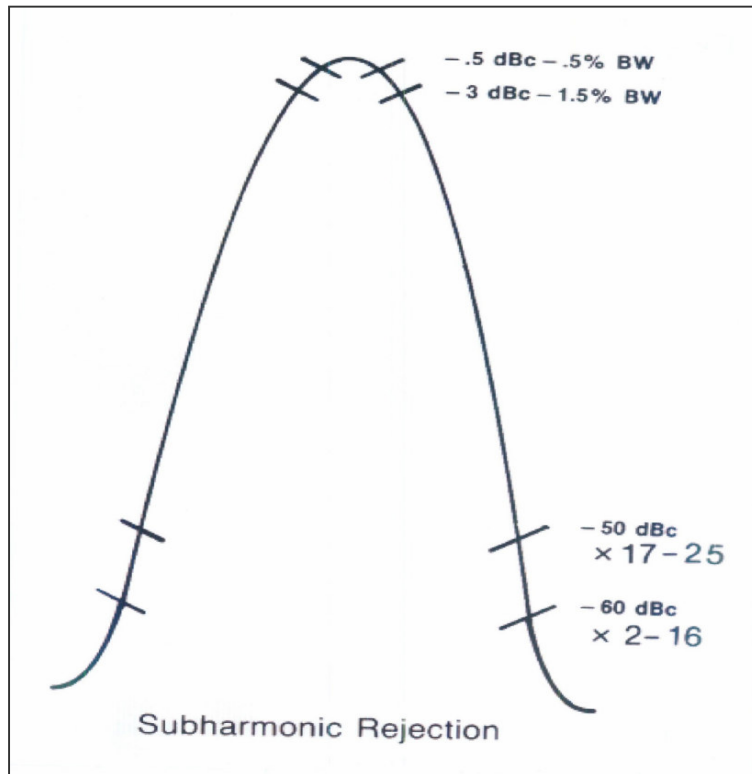
Input Frequency Range: 5 MHz to 25 MHz (Specify Operating Frequency)

Output Frequency Range:	10 MHz to 500 MHz
RF Input Level:	0 dBm, ± 3 dB
RF Output Level:	+10 dBm min
Operating Temperature:	0° C to +50° C
Harmonic Rejection:	-60 dBc
Spurious:	-60 dBc (X2-X16) -50 dBc (X17-X25)
Phase Noise Degradation:	20 long N +3 dB
Operating Voltage:	+15 VDC $\pm 2\%$ @ 60 ma typical
Connectors:	SMA (F) & Filtercon
Size:	4.75" x 2.0" x 1.48"

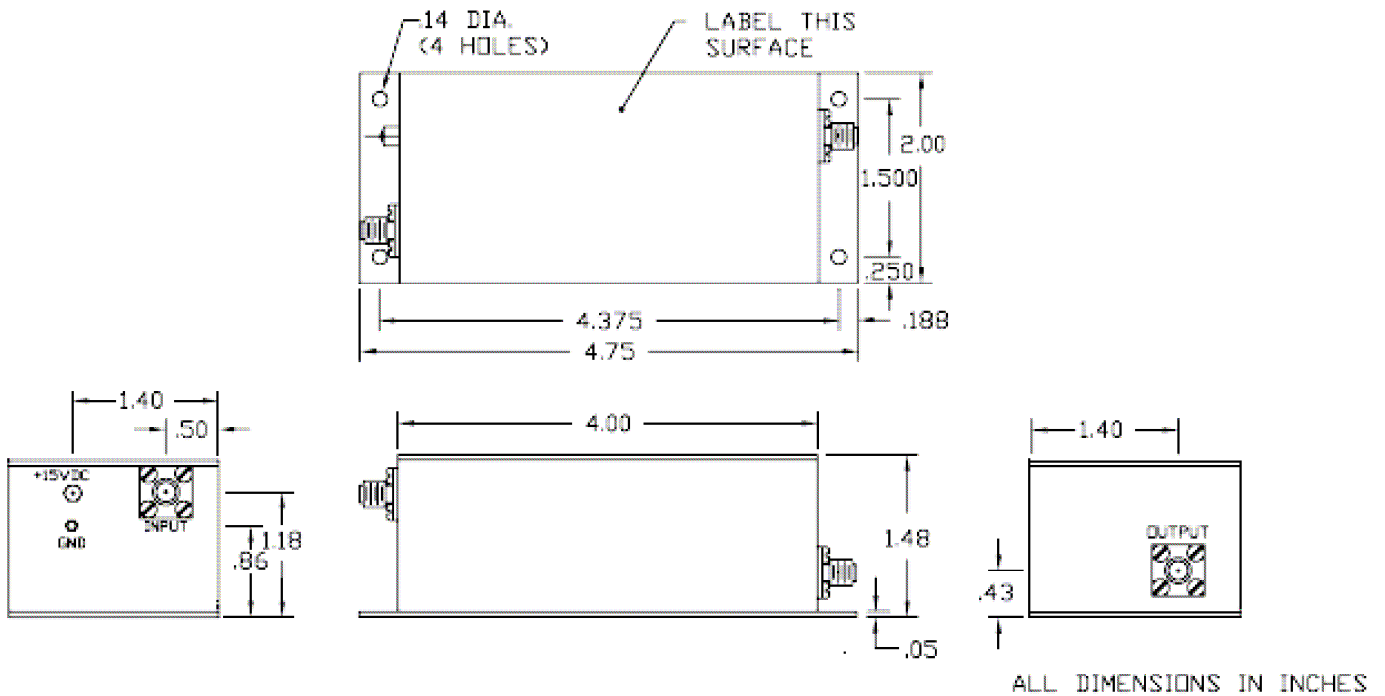
Techtrol Cyclonetics Inc.

815 Market Street New Cumberland, PA 17070
Phone: (717) 774-2746 Fax: (717) 774-6799
Website: www.tci-ant.com E-mail: Sales@tci-ant.com

Subharmonics Chart



Outline Drawing



Techtrol Cyclonetics Inc.

815 Market Street New Cumberland, PA 17070

Phone: (717) 774-2746 Fax: (717) 774-6799

Website: www.tci-ant.com E-mail: Sales@tci-ant.com