



ADVANCED NOISE TECHNOLOGY

# H300 SERIES Low Noise OCVCXO

**Frequency Range:** 40 MHz to 125 MHz

**Size** (See outline Dwg.)

### Output Performance

Output Power: +13.0 dBm min  
 Load Impedance: 50 Ohms  
 Harmonics: < -30 dBc  
 Spurious: < -90 dBc  
 Aging: ±1.0 PPM / 1<sup>st</sup> year  
 < ±7.0 PPM / 10 years

### Operating Supply

Input Voltage: +12 to +15 VDC  
 Turn On Power: 5 W  
 Steady State (25° C): 1.8 W  
 Warm Up Time: < 5 minutes

### Electrical Frequency Control

EFC Range: ±5.0 PPM min  
 EFC Voltage: ±6 VDC  
 Slope: Negative Slope  
 Slew Rate: 3 KHz typical  
 Input Impedance: 5 K Ohms typical

### Mechanical Frequency Adjust

Compensation for 10 years aging

### Frequency vs. Temperature

Temperature	Stability
0° C to +50° C	±.3 PPM
-20° C to +70° C	±.5 PPM

### Phase Noise Performance (typical 100 MHz)

	Standard	Improved	Premium
100 Hz:	-120 dBc/Hz	-125 dBc/Hz	-130 dBc/Hz
1.0 KHz:	-150 dBc/Hz	-155 dBc/Hz	-158 dBc/Hz
10 KHz:	-165 dBc/Hz	-168 dBc/Hz	-170 dBc/Hz
100 KHz:	-168 dBc/Hz	-170 dBc/Hz	-172 dBc/Hz (+15 VDC Only)

### Options

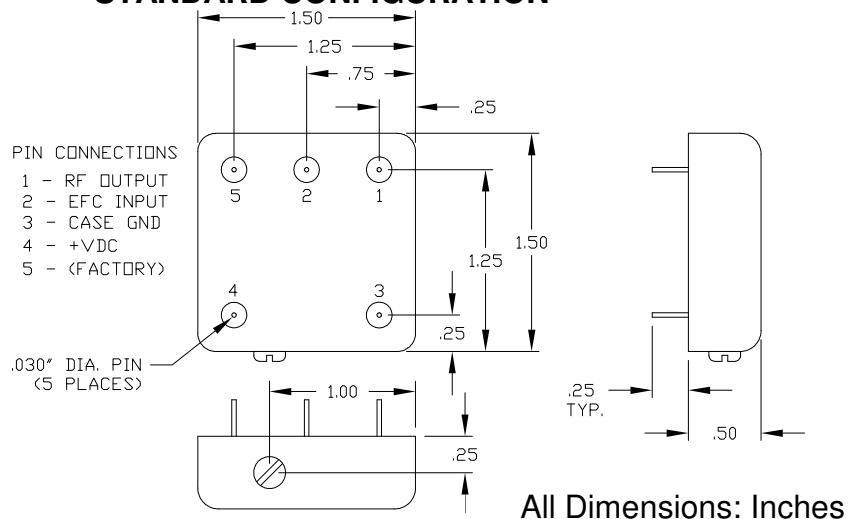
- Package Configuration
- Phase Noise
- Output Level
- Freq. Stab. / Temp.

### Applications

- Instrument Clock
- PLL Reference
- Receivers
- RADAR Exciters
- Carrier Noise Reference

See Back for Package Options

### STANDARD CONFIGURATION

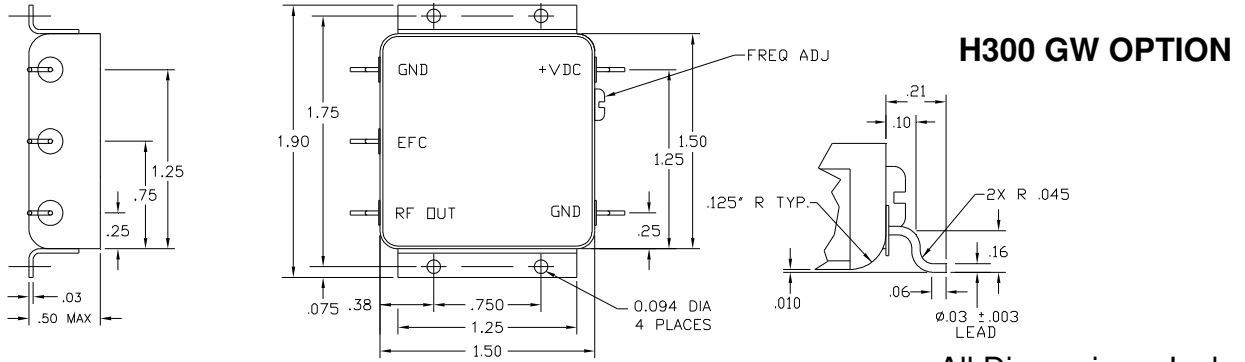


### Techtrol Cyclonetics Inc.

815 Market Street New Cumberland, PA 17070  
 Phone: (717) 774-2746 Fax: (717) 774-6799  
 Website: [tci-ant.com](http://tci-ant.com) E-mail: [Sales@tci-ant.com](mailto:Sales@tci-ant.com)

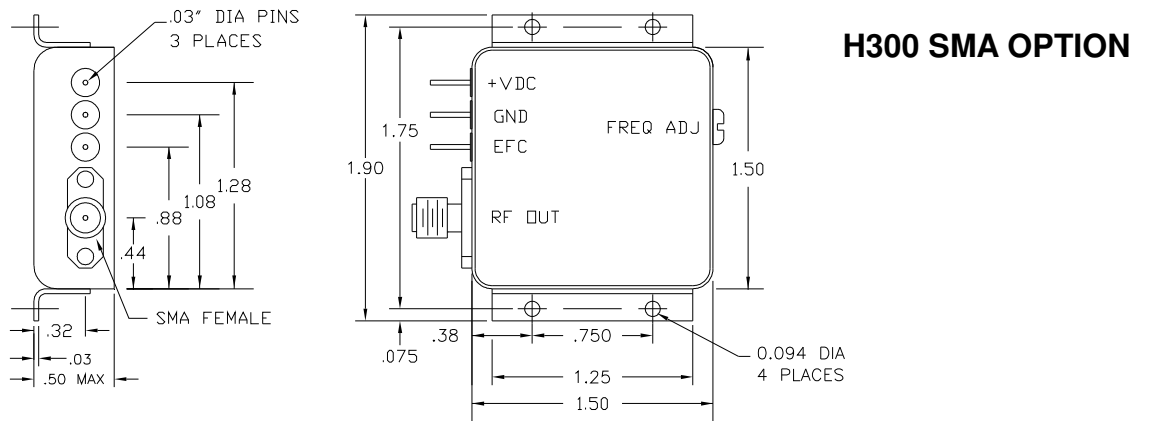
# H300 SERIES OPTIONAL MOUNTING

## FLANGE, GULL PIN, SURFACE MOUNT OPTION



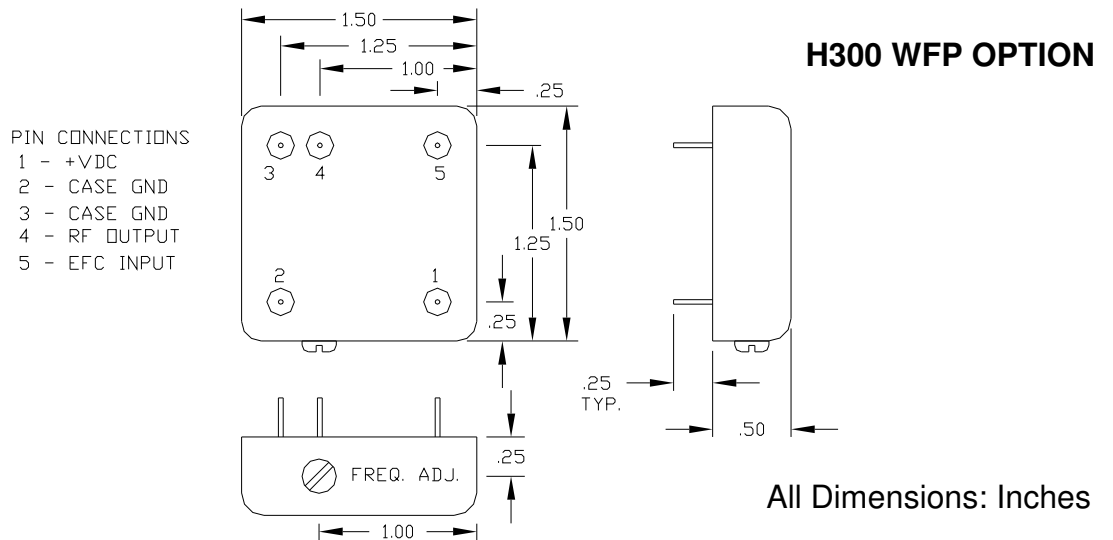
All Dimensions: Inches

## FLANGE MOUNT, SMA OUTPUT OPTION



All Dimensions: Inches

## OPTIONAL THROUGH HOLE PIN MOUNTING



All Dimensions: Inches

**Techtrol Cyclonetics Inc.**

815 Market Street New Cumberland, PA 17070

Phone: (717) 774-2746 Fax: (717) 774-6799

Website: [tci-ant.com](http://tci-ant.com) E-mail: [Sales@tci-ant.com](mailto:Sales@tci-ant.com)