



ADVANCED NOISE TECHNOLOGY

M4000 SERIES

UHF Source (QUARTZ BASED)

LOW AM & PM NOISE PERFORMANCE

Frequency Range: 500 MHz to 1.0 GHz (Specify Operating Frequency)

Output Performance

Output Power: +13.0 dBm min.
 Harmonics: < -60 dBc
 Sub harmonics: < -60 dB
 Spurious: < -90 dBc
 Load Impedance: 50 Ohms

Phase Noise Performance

(800 MHz typical)

100 Hz: -100 dBc/Hz
 1.0 KHz: -130 dBc/Hz
 10 KHz: -147 dBc/Hz
 100 KHz: -150 dBc/Hz

Frequency Stability:

<u>Temperature</u>	<u>Stability</u>
0° C to +50° C	±8 PPM
-20° C to +70° C	±10 PPM

Mechanical Frequency Adjust

Compensation for 10 years aging

Aging Performance

< ±1.0 PPM / 1st year
 < ±10.0 PPM / 10 years

Electrical Frequency Adjust (Optional)

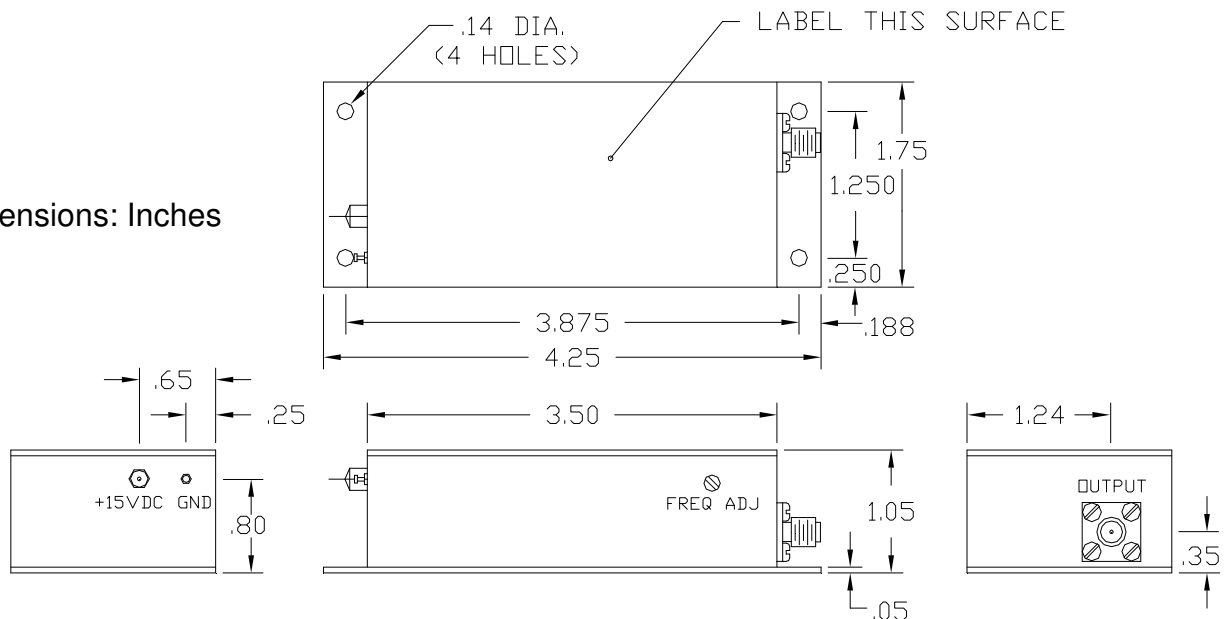
EFC Range: ±8.0 PPM min
 EFC Voltage: ±10 VDC
 Slope: Negative
 Slew Rate: 3 KHz typical
 Input Impedance: 5 K Ohms typical

Operating Supply

Input Voltage: +15 VDC ±2%
 Input Current: 180 ma. Typical

Size: 4.25" L X 1.75" W X 1.05" H

Dimensions: Inches



Techtrol Cyclonetics Inc.

815 Market Street New Cumberland, PA 17070

Phone: (717) 774-2746 Fax: (717) 774-6799

Website: tci-ant.com E-mail: Sales@tci-ant.com